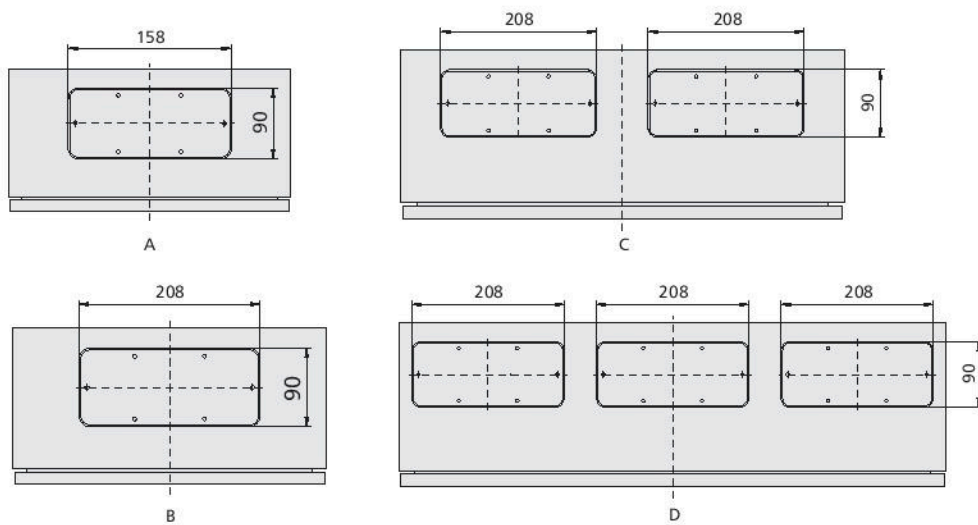


Flange openings



Note: The thickness of installation panel could be changed according to your specific requirement. (Max. thickness 2.0mm). Drawing-bar lock is available when the width of LUSTRE is bigger than 800mm

5. Ordering information

Model No.	Height(H)×Width(W)× Depth(D)	No. of locks	No. of hinges	Flange openings	Thickness
LUSTRE-2520/15	250× 200× 150	1	2	A	1.2
LUSTRE-3025/15	300× 250× 150	1	2	A	1.2
LUSTRE-3025/20	300× 250× 200	1	2	A	1.2
LUSTRE-3030/15	300× 300× 150	1	2	A	1.2
LUSTRE-3030/20	300× 300× 200	1	2	A	1.2
LUSTRE-3040/15	300× 400× 150	1	2	B	1.2
LUSTRE-3040/20	300× 400× 200	1	2	B	1.2